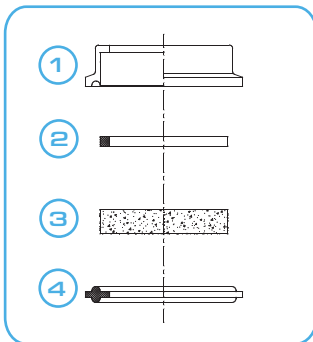
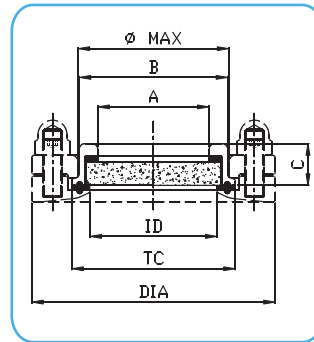


SPH Flat Sight Glass for TKC Connection



SPH SIGHT GLASS MOUNTED ON TKC CONNECTION



*TKC Connection provided separately

- ① COVER
- ② GLASS GASKET
- ③ GLASS
- ④ CLAMP GASKET

CODE	SIZE	DIA mm	ØTC mm	ID mm	Ømax mm	A mm	B mm	C mm	OD mm	Glass Thk mm
SPH-100-XG-71A	1"	85	50.5	22.1	45	22.5	44	18	38.5	10
SPH-150-XG-71A	1 ½"	85	50.5	34.8	45	28	44	18	38.5	10
SPH-200-XG-71A	2"	100	64	47.5	57	41	56	18	51.5	10
SPH-250-XG-71A	2 ½"	112	77.5	60.2	71	54.5	70	18	65	10
SPH-300-XG-71A	3"	130	91	72.9	85	67.5	82.7	18	78	10
SPH-400-XG-71A	4"	170	119	97.4	113	84	110	23	105	15

Technical Information:

Tri-Clamp Connections: according to ASME BPE

Cover Material: AISI 316L – 1.4404

Glass Material: Borosilicate Tempered

Clamp Gasket Material: Silicone (X) **Optional:** EPDM (E), FKM (V), PTFE (G)

Glass Gasket Material: PTFE (G) **Optional:** Silicone (X)

Specifications:

Max Working Pressure: 6 barg

Max Working Temperature: 150°C

Marking: Each SPH Sight Glass is marked with serial number for full lot traceability.

Advantages :

- Clear process visibility
- Fast and simple installation and maintenance
- Extremely compact design with large viewing area
- Minimized dead leg
- No product entrapment
- Suitable for sterile applications
- Sterilizable – Autoclavable

CONFIGURATOR



DATASHEETS



Last updates can be found on our website - www.aerreinox.it
In the interests of development of the product, we reserve the right to change the specifications without prior notice